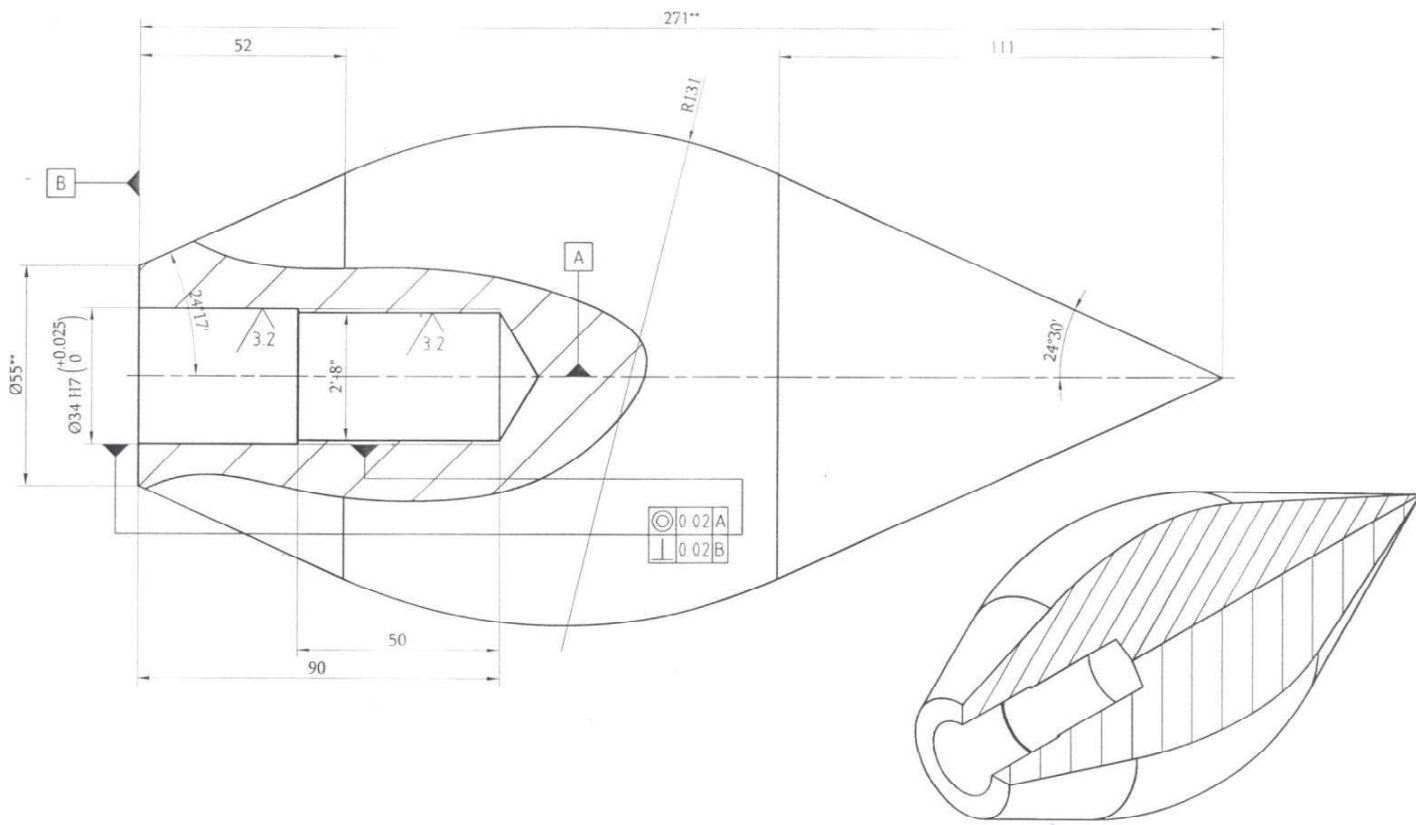


RTP - 112.000.002

25/ (✓)



DESIGNER	DATE	REVISION	REVISION
NAME	SIGNATURE	DATE	
NO.			
DATE			
BY			
Q.A.			
MATERIAL:		RICEULA HPP / TG - 1	
20X15 / 12X18M10T		NOZZLE / 63865	
WEIGHT: 3.22 kg		RTP - 112.000.002 A3	
Scale: 1:1		Sheet: 1/1	

3016/0060 A3

